

All In One Solar Street Light

SP-ISL-12AH-20W

SP-ISL-10AH-15W

SP-ISL-6AH-7W

The solar street light allows for "off-grid" high power lighting in remote areas. An ideal solution for any location that makes running power to light source difficult.

Solar lighting provides an environmentally safe method of illumination that is both safe and reliable. Some top key features are safety and reliability, rust-proof, dust-proof and full water-proof.

KEY FEATURES

- Self-sufficient
- No wires or cables
- Compact design
- Easy to install
- Super bright LED
- Auto dusk-to-dawn
- No electrical costs
- Motion sensitive
- Mounts to any pole
- Low maintenance

SOLAR PANEL

- Monocrystalline silicon
- 17.5V/15WP
- Conversion efficiency >22%
- Life span: 25 years

STORAGE BATTERY

- Lithium battery
- 11.1V
- Charge time to full level: 13 hours

LED SOURCE

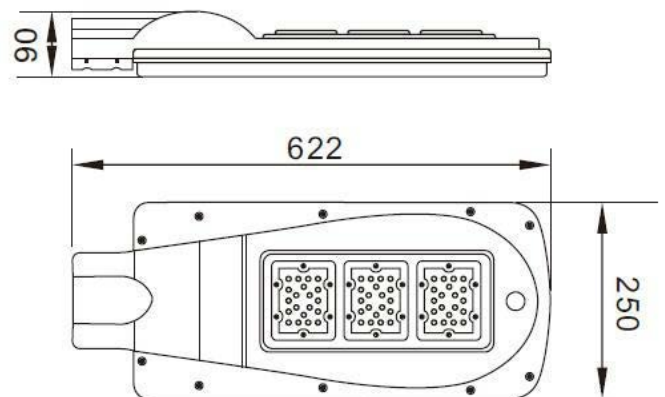
- PHILIPS high efficiency 2835 LED chips
- Power: 20W, 15W or 7W
- Luminous Efficacy: 150lm/W
- Luminous Flux: 3000lm, 2250lm or 1050lm
- CCT: 5000K, High brightness LEDs @ 80 CRI

ENVIRONMENT

- Operation Temp -20 ~ +50 °C
- Storage Temp -20 ~ +60 °C
- Suitable for wet locations, IP66
- Anti-corrosion Grade WF1

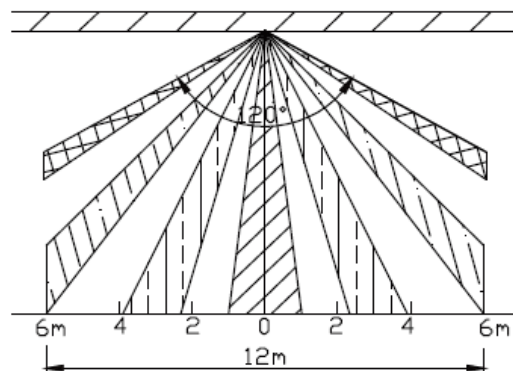


DIMENSION



SMART CONTROL

- Motion sensor with detection range: 6m diameter, detection angle: 120°
- The unit will switch to full brightness when motion sensed in detection range and revert back to preset levels after no motion of 30s.



WORK TIMES

- Bright mode: 6.6 hours
- Dim mode: 26 hours

LISTINGS

- CE/FCC/RoHS
- UL & DLC do not have certification Category for solar LED street

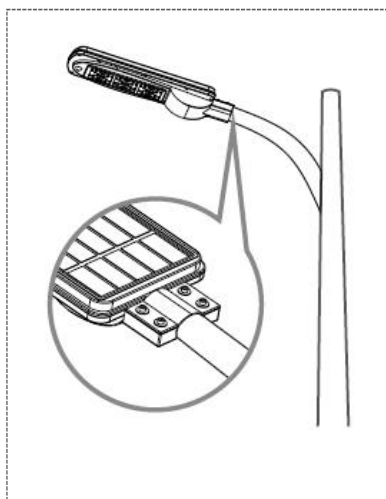
WARRANTY

- 2 year limited warranty

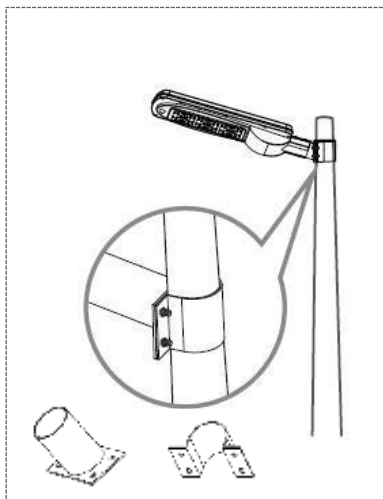
PERFORMANCE SUMMARY

Model No	Solar Panel	LED Watts	Battery	Lumens	CCT	N.W.	G.W.	Package Size
SP-ISL-12AH-20W	15W	20W	12AH/11.1V	3000lm	5000K	3.9kg	4.6kg	740*290*155mm
SP-ISL-10AH-15W	15W	15W	10AH/11.1V	2250lm	5000K	3.9kg	4.6kg	740*290*155mm
SP-ISL-6AH-7W	15W	7W	6AH/11.1V	1050lm	5000K	3.9kg	4.6kg	740*290*155mm

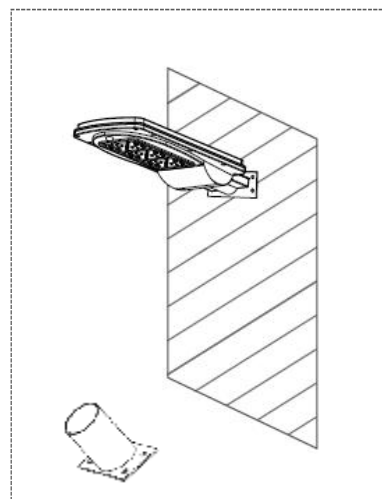
LIGHT INSTALLATION



Arm Mount
Diameter 60" 76mm



Round Pole Mount
Diameter 60" 76mm.



Wall Mount

APPLICATIONS

- Roads
- Parks
- Docks & Piers
- Marinas
- Pathways
- Estates
- Security
- Mobile Military
- Road Construction
- Bicycle Lanes
- Rail Crossings
- Mining Sites
- Site Perimeters
- Beaches
- General Purpose